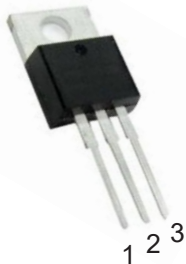
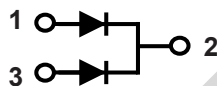
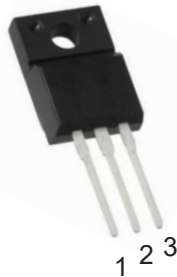


## Trench MOS Barrier Schottky Rectifier

**TO-220AB**  
**TSR30A150CT**



**TO-220F**  
**TSR30A150CTF**



### Features

- Advanced trench technology
- Low forward voltage drop
- Low power losses
- High efficiency operation
- Lead Free Finish, RoHS Compliant

### Applications

- DC/DC Converters
- AC/DC Adaptors
- Switching Power Supplies
- Freewheeling Diodes

### Maximum ratings and electrical characteristics (T<sub>J</sub> = 25°C unless otherwise noted)

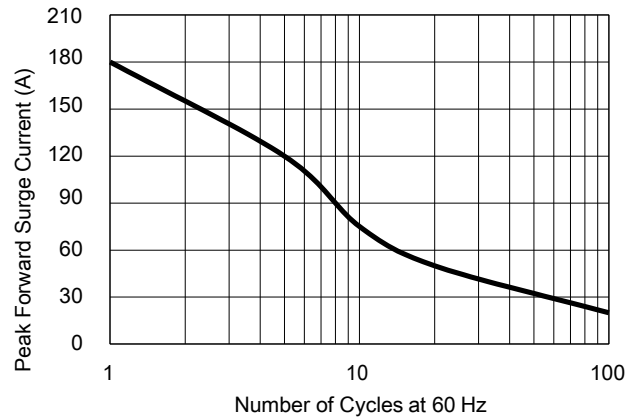
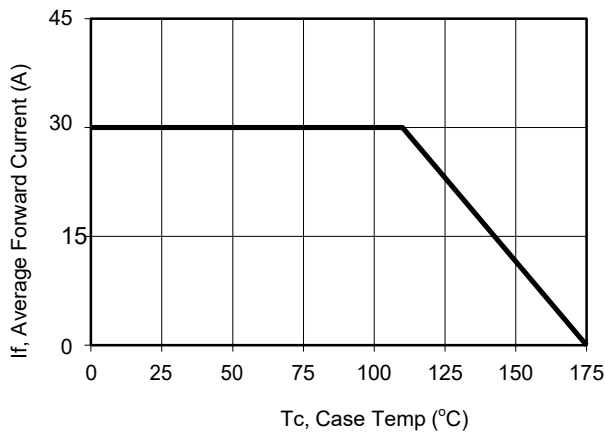
Parameter		Symbol	Limit		Unit
Maximum repetitive peak reverse voltage		VRRM	150		V
Maximum average forward rectified current	device	IF(AV)	30		A
	per diode		15		
Peak forward surge current 8.3 ms single half sine- wave superimposed on rated load per diode		IFSM	180		A
Operating junction and storage temperature range		T <sub>J</sub> , T <sub>STG</sub>	-55 to +150		°C
Typical thermal resistance per leg	TO-220AB	R <sub>θJC</sub>	2		°C/W
	TO-220F		4		°C/W
Instantaneous forward voltage per diode	IF=3A	VF(1)	TYP.	MAX.	V
			T <sub>J</sub> =25°C	0.60	
	T <sub>J</sub> =125°C		0.58	-	
	T <sub>J</sub> =25°C		1.10	1.25	
Instantaneous reverse current per diode at rated reverse voltage	T <sub>J</sub> =25°C	IR(2)	-	20	µA
	T <sub>J</sub> =125°C		-	10	mA

Notes:

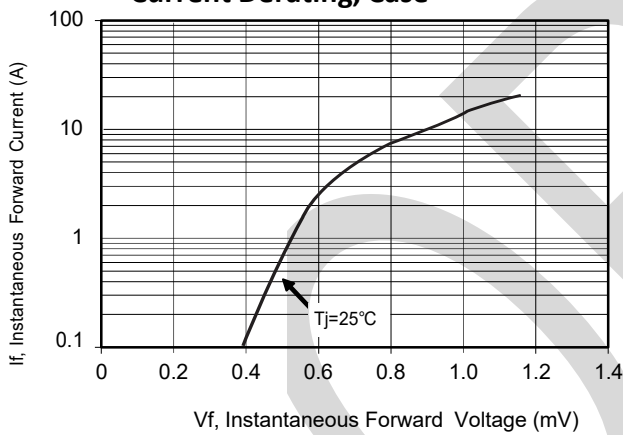
(1) Pulse test: 300 µs pulse width, 1 % duty cycle

(2) Pulse test: Pulse width ≤ 40 ms

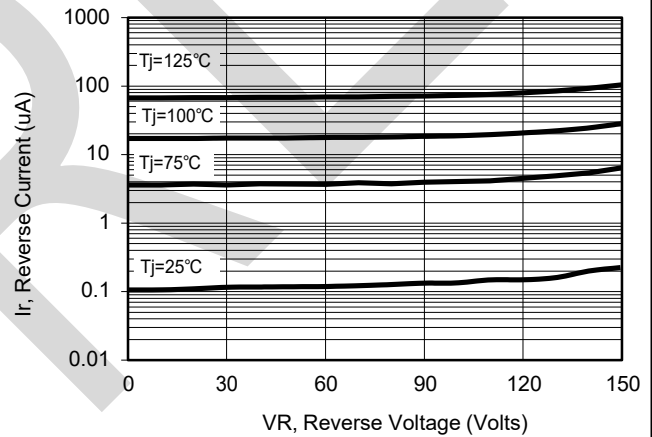
## RATINGS AND CHARACTERISTICS CURVES (TA = 25 °C unless otherwise noted)



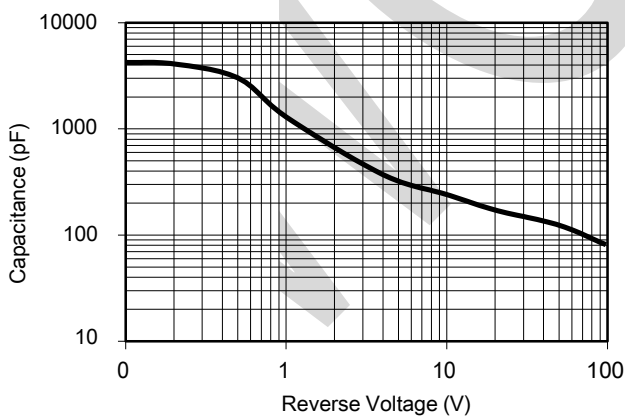
### Current Derating, Case



### Maximum Repetitive Surge Current



### Typical Forward Voltage



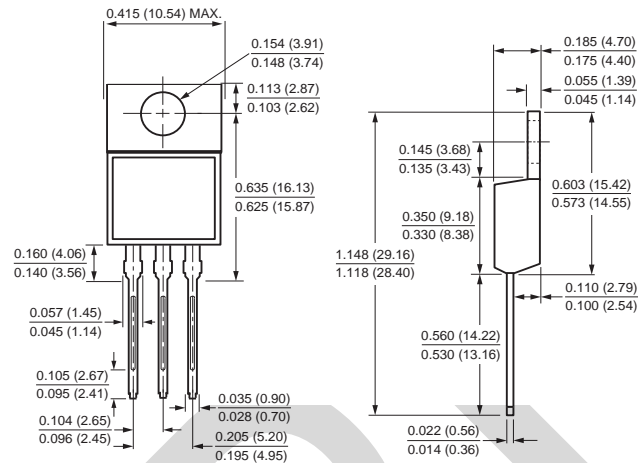
### Typical Reverse Current

### Typical Junction Capacitance

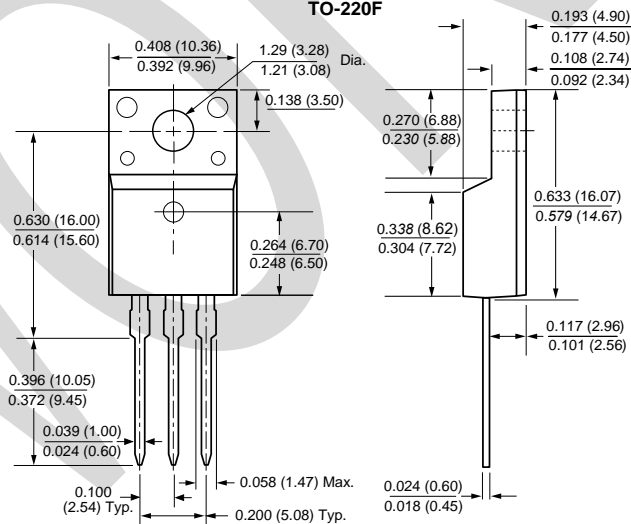
## PACKAGE OUTLINE DIMENSIONS

Note:unit In(mm)

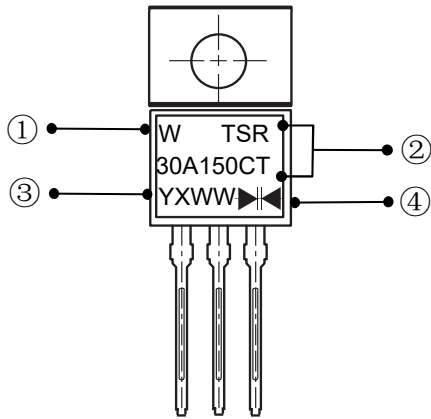
TO-220AB



TO-220F



## Marking Information



①W : Company's trademark  
②Product model : TSR30A150CT or TSR30A150CTF

③PDC information:

Y X WW

WW:Week code(01 to 53)

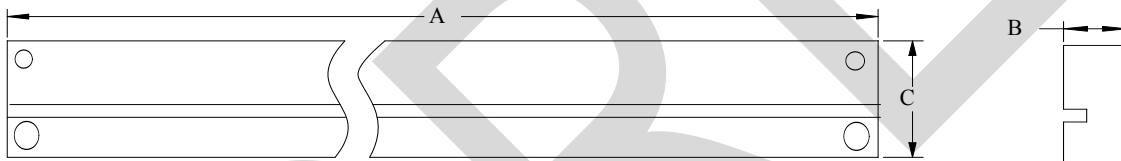
X:Internal identification code

Y:Year code(ex:0=2020)

④ Double wafer

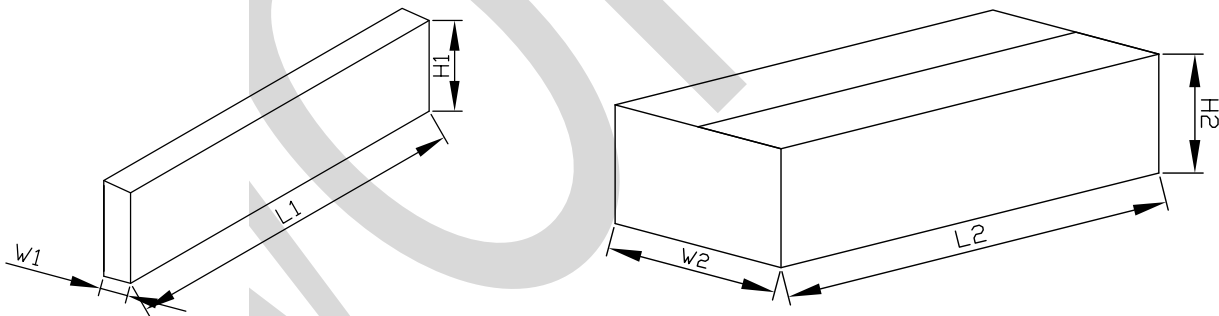
## Packaging Information

### 1.Tube Dimensions



### 2.Inside Box

### 3.Outside Box



## Packaging Information

NO	UNIT	Tube Dimensions			Inside Box			Outside Box		
		A	B	C	L1	W1	H1	L2	W2	H2
Size	mm	530	7	33	570	46	150	590	260	180
QTY	PCS	50PCS/Tube			Smallest package,1000PCS, 20 tube in total			5,000PCS/carton,5 boxes in total		
Note	Tolerance ≤20mm,±3mm; 21-100mm,±5mm; 101-500mm,±10mm									