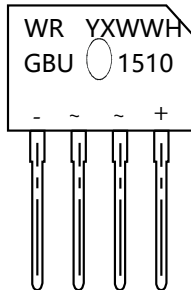


Ultrasoft Recovery Bridge



PINNING

PIN	DESCRIPTION
1	Output Anode +
2	Input Pin ~
3	Input Pin ~
4	Output Cathode -

Features

- Glass Passivated Chip Junction
- Reverse Voltage - 1000 V
- Forward Current - 15A
- High Surge Current Capability

Benefits

- Case: GBU
- Terminals: Solderable Per MIL-STD-750

Maximum Ratings and Electrical characteristics

Ratings at 25 °C ambient temperature unless otherwise specified.

Single phase half-wave 60 Hz, resistive or inductive load, for capacitive load current derate by 20 %.

Parameter	Symbols	WRGBU1510	Units
Maximum Repetitive Peak Reverse Voltage	VRRM	1000	V
Maximum RMS voltage	VRMS	700	V
Maximum DC Blocking Voltage	VDC	1000	V
Average Rectified Output Current	I_o	15.0	A
Reverse Recovery Time. IF=0.5A,IR=1A,IRR=0.25A	Trr	10	us
Peak Forward Surge Current 8.3 ms Single Half Sine Wave Superimposed on Rated Load (JEDEC Method)	IFSM	240	A
I ² t rating for fusing (1ms < t < 10ms)	I ² t	288	A ² S
Maximum Forward Voltage at 7.5 A	VF	1.0	V
Maximum DC Reverse Current @TA=25 °C at Rated DC Blocking Voltage @TA=125 °C	IR	5 100	μA
Typical Junction Capacitance Note1	Cj	50	pF
Operating and Storage Temperature Range	Tj, Tstg	-55 ~ +175	°C

Note: 1. Measured at 1MHz and applied reverse voltage of 4 VDC.

RATINGS AND CHARACTERISTICS CURVES (TA = 25 °C unless otherwise noted)

Fig.1 Current Derating, Case

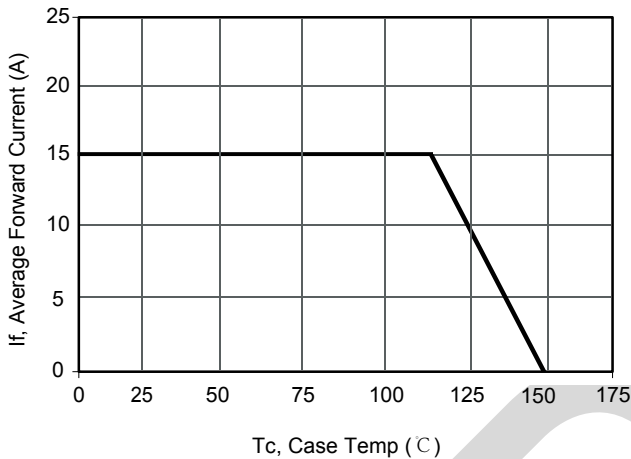


Fig.2 Maximum Non-Repetitive Peak Forward Surge Current

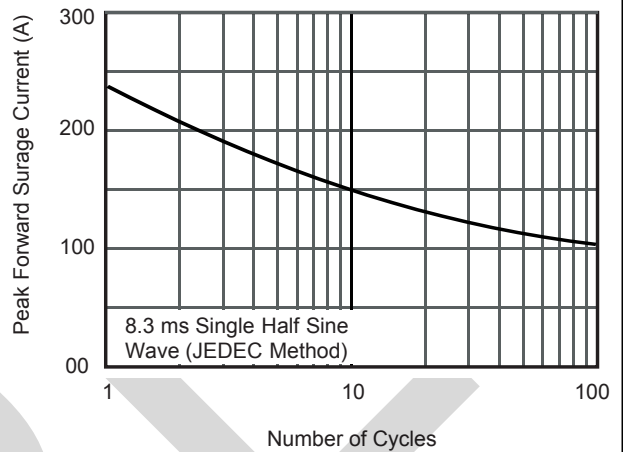


Fig.3 Typical Forward Voltage

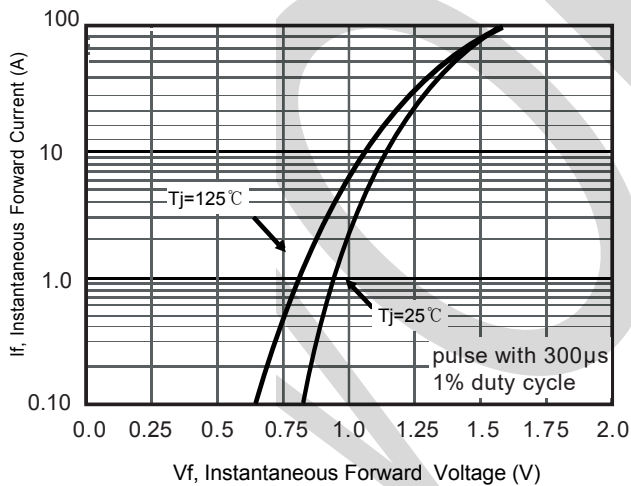
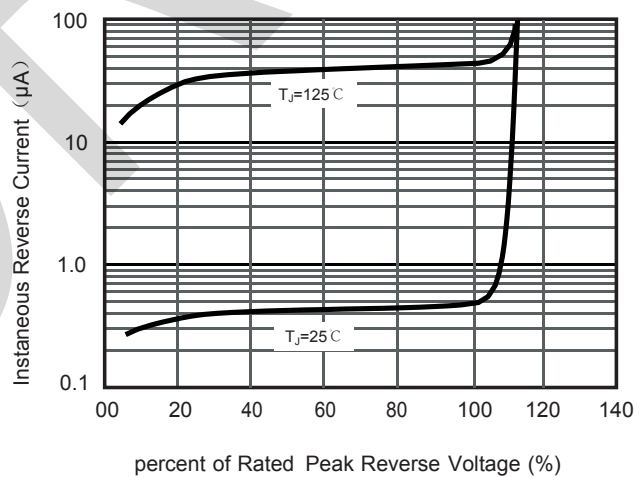
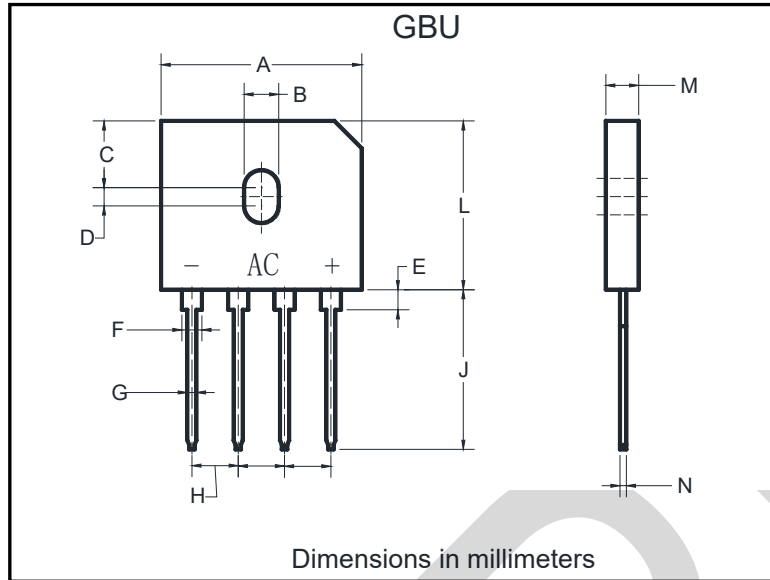


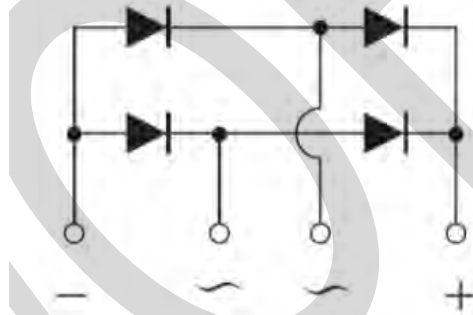
Fig.4 Typical Reverse Characteristics



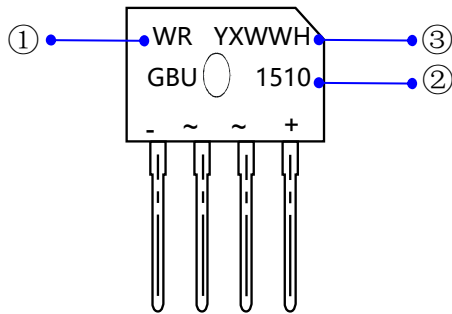
PACKAGE OUTLINE DIMENSIONS



GBU		
Dim	Min	Max
A	21.80	22.30
B	3.50	4.10
C	7.40	7.90
D	1.65	2.16
E	2.25	2.75
F	2.05	2.3
G	1.02	1.27
H	4.83	5.33
J	17.0	18.5
L	18.3	18.8
M	3.30	3.56
N	0.46	0.56

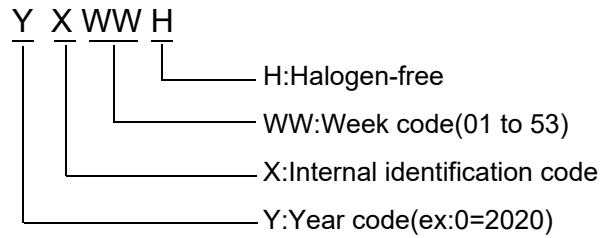


Marking Information



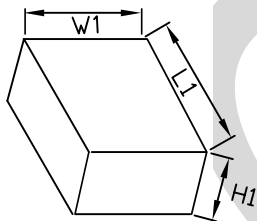
- ①WR : Soft-Bridge
- ②Product model : WRGBU1510

③PDC information:

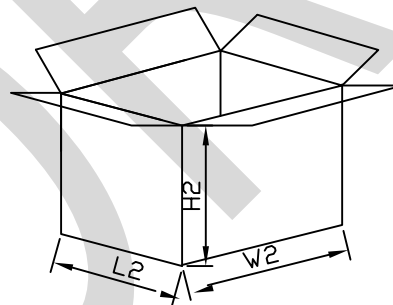


Packaging Information

1.Inside Box



2.Outside Box



Packaging Information

NO	UNIT	Inside Box			Outside Box		
		L1	W1	H1	L2	W2	H2
Size	mm	228	110	43	460	240	235
QTY	PCS	250PCS/carton			5,000PCS/carton,20boxes in total		
Note	Tolerance	≤20mm,±3mm;		21-100mm,±5mm;	101-500mm,±10mm		